

MF900

The Massey Ferguson 900 Series: Hard working, high performance loaders



VISION INNOVATION LEADERSHIP QUALITY RELIABILITY SUPPORT PRIDE COMMITMENT



MASSEY FERGUSON

When time's not on your side, we are.

If you need a robust, reliable loader to complement your Massey Ferguson tractor then you don't need to look far. MF tractors with MF loaders are the ultimate combination of rugged ability, hard work and reliability.

Getting the job done, simply and efficiently - no compromise

Massey Ferguson 900 Series loaders have been designed and built to industry-leading standards to maximise performance, reliability and ease of operation, without compromising tractor operation or serviceability.

Operation is easy so you can get to work straight away - it's like having an extra pair of hands around to help take the strain of a busy working day.

Get the right loader for your Massey Ferguson tractor

Full integration of tractor and loader is achieved easily with the MF 900 Series, to suit 50 - 300 hp Massey Ferguson tractors. You can choose from either 'standard' or 'parallel' linkage, available throughout an extensive range of 21 models, along with numerous options and accessories to enhance performance and productivity.

Highly developed, high performance design ensures that these loaders deliver first class versatility, outstanding reliability, and impressive results year after year.

Whatever your handling requirements, the MF loader range can deal with them. From day-to-day jobs to the toughest contractor work, the MF 900 Series of loaders can be found working away in a wide range of applications – on many livestock and mixed farms, vegetable enterprises, amenity/municipal and landscape/forestry activities or intensive municipal operation.



Offering you the best choice of loaders

There's a wide selection of loaders available, with an excellent range of heights and lift capacities, so whichever MF tractor you choose, there's a loader to perfectly complement it.

| MF 900 Series - loaders available | | | |
|-----------------------------------|--------------|-------------|--------------------|
| Model | Type | Lift height | Max. lift Capacity |
| MF 931 | Non parallel | 3.20 m | 1390 kg |
| MF 933 | Non parallel | 3.50 m | 1660 kg |
| MF 936 | Parallel | 3.50 m | 1530 kg |
| MF 938 | Parallel | 3.50 m | 1840 kg |
| MF 941 | Non parallel | 3.75 m | 1730 kg |
| MF 946 | Parallel | 3.75 m | 1910 kg |
| MF 948 | Parallel | 3.75 m | 2250 kg |
| MF 949 | Parallel | 3.90 m | 1800 kg |
| MF 951 | Non parallel | 4.00 m | 1860 kg |
| MF 956 | Parallel | 4.00 m | 2070 kg |
| MF 958 | Parallel | 4.00 m | 2410 kg |
| MF 961 | Non parallel | 4.25 m | 2130 kg |
| MF 966 | Parallel | 4.25 m | 2330 kg |
| MF 968 | Parallel | 4.25 m | 2680 kg |
| MF 976 | Parallel | 4.50 m | 2540 kg |
| MF 978 | Parallel | 4.50 m | 2900 kg |
| MF 988 | Parallel | 4.95 m | 3340 kg |

| MF 900 Series - Utility loaders* available | | | |
|--------------------------------------------|--------------|-------------|--------------------|
| Model | Type | Lift height | Max. lift capacity |
| MF 905 | Non parallel | 3.00 m | 1420 kg |
| MF 906 | Non parallel | 3.30 m | 1590 kg |
| MF 915 | Parallel | 3.00 m | 1500 kg |
| MF 916 | Parallel | 3.30 m | 1370 kg |

* For MF 3600 Series range only



Design is our strength

Massey Ferguson loader subframe design - The ultimate in integration

It is the ultimate in integration between two undeniably impressive pieces of machinery. Thanks to the way our tractors are designed, your purchase will become a partnership between you, your loader and your tractor; giving you an uncompromising combination of power and functionality.



New design: extra-strength reinforced rear arms.

Optional visio-roof* for uncompromised visibility during loader operations

New models with increased lift capacity and new roll back angles offer impressive material handling, particularly when using a bucket implement.

New coupling system: Spill-free flat face couplings which make coupling and de-coupling simple and clean.

The loader brackets and loader itself are carefully positioned close to the bonnet so as not to impede access.

Thoughtful design means there is plenty space between the loader arms and the bonnet so there's excellent access to the engine area and air filter.

Easy connection and disconnection of loader and implement makes the whole operation quick and straightforward.

The waisted bonnet design and short wheelbase allow for excellent manoeuvrability, visibility and comfort during loader applications

The loader sub-frame sits smoothly against the tractor chassis. Its integral structure has been carefully designed by our engineers who understand how a loader and tractor need to perform.

* Depending on ranges and models. Check availability with your local MF dealer.

Designed and built for the most demanding tasks

From the strength and security of the subframe to the slim yet robust design of the welded box section beams, MF 900 Series loaders deliver industry-leading features that ensure maximum output and dependability from your Massey Ferguson tractor.



Designed specifically for your Massey Ferguson tractor, they offer many outstanding features to increase your efficiency.

Strengthened subframes

Subframes are available to fit most tractors in the Massey Ferguson range and now have larger load-bearing surfaces to strengthen their already robust construction and meet the demands of today's high performance tractors. The subframe extends forwards to a protective grille guard, and in most cases an extension to the tractor's rear axle adds strength and rigidity.

Subframes are designed to allow drive-in attachment, whilst the semi-automatic 'Lock & Go' system retains the loader rigidly and securely in position.

Protected and concealed hydraulic hoses

Loader beam design combines strength and excellent forward visibility, with the highest quality 'twin C-section' steel construction neatly concealing and protecting all hydraulic hoses. The strong transverse cross-tube, which also houses and protects hydraulic components, adds strength and aids visibility through its positioning near the front of the loader.

All pivot points have greasable, replaceable bushes, giving long intervals between lubrication and enabling quick, inexpensive replacement. Also all pins are galvanised and, where stresses demand, are of a larger diameter (40mm).

Robotised welding ensures consistency in construction throughout, whilst steel undergoes full preparation and priming before a tough and durable powder paint finish is applied.

- 01. Straightforward subframe design.
- 02. Cross-tube houses hydraulic components and provides strength.
- 03. Strong double U-section loader beams.
- 04. Double acting and pressure-tested hydraulic.
- 05. Robotised welding ensures accuracy and strength.
- 06. Modern paint processes ensure long life and durability for your loaders' paintwork.



Easy mounting and removing

Through the application of advanced industry-leading technology, MF 900 Series loaders provide simple practical solutions to the day-to-day challenges of modern farming, ensuring quick and easy operation from the start.

Standard 'Lock & Go' connection system

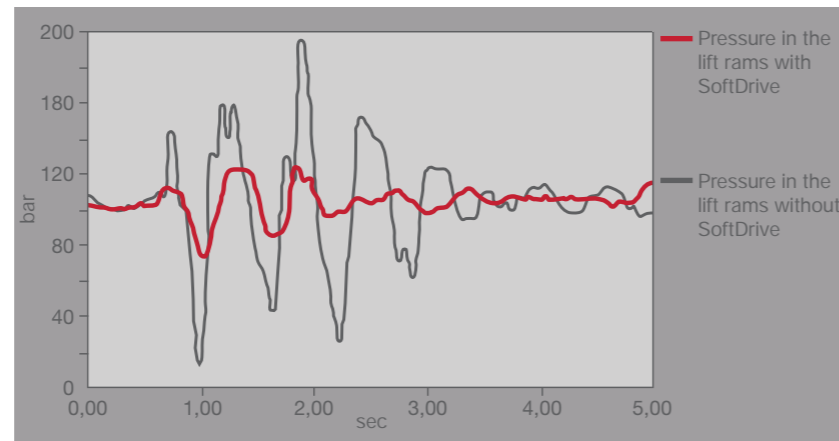
For ease of connection and disconnection all loaders are designed with the standard 'Lock & Go' system. Requiring no tools and incorporating rigid support legs, the 'Lock & Go' system is simply designed to save time, enabling straightforward attachment/detachment.

'Clic-on' with integrated safety function

In addition to the excellent visibility of the tool carrier, secure implement attachment is further aided by the 'Clic-on' feature. When an implement is detached, the 'Clic-on' device holds the locking pins in their retracted position. Attaching an implement and rolling back the tool carrier allows the locking pins to return to their locked position, automatically. 'Clic-on' is fitted as standard on Euro and Combi-SMS tool carriers, making implement attachment a whole lot easier and more secure.

Faster connections

Fast hydraulic coupling of tractor and loader is made easy by compact design and colour coded connections. For faster hydraulic connection, the 'Hydroquick' coupler is available as an option, whilst 'Selecto-Fix' gives similar benefits when coupling hydraulic implements to the tool carrier.



Innovative 'SoftDrive' system

Stresses on loader and tractor, as well as the operator, can be reduced by the optional addition of the innovative 'SoftDrive' shock absorption system. Available on all models, hidden and protected inside the cross tube, 'SoftDrive' can be activated when you need it - particularly useful on rough terrain or in transport applications - or switched off for precise pallet stacking or bale handling.

For maximum driver convenience an optional electric switch kit allows 'SoftDrive' to be activated from the driving position.

Selecto-fix

Many attachments in the range are equipped with 'Selecto-Fix'. This provides a rapid, easy and positive hydraulic connection, with no risk of spillage or leakage.



Five steps to a quality working day

| | | |
|-----------------------|------------------------------------------------------------------------------------------------------------------|--|
| <p>Step 1.</p> | <p>Simply drive the tractor into the parked loader. The loader will smoothly meet with the attachment hooks.</p> | |
| <p>Step 2.</p> | <p>The optional Hydroquick coupler speeds loader, hydraulic and electrical attachment.</p> | |
| <p>Step 3.</p> | <p>By lifting the arms, the semi automatic Lock and Go system speeds and simplifies loader hook up.</p> | |
| <p>Step 4.</p> | <p>Fold up the park stand.</p> | |
| <p>Step 5.</p> | <p>Get to work!</p> | |

The ultimate in control and comfort

MF 900 Series loaders set the standard in control and ergonomics, ensuring simple and effective operation, leading to higher levels of comfort, safety and output. You'll never have a more efficient tractor/loader combination.

MF 900 Series loaders offer a range of ergonomically designed and intuitive loader control systems designed by Massey Ferguson engineers specifically for the MF tractor range.

Optimum 'feel' and control

The 'ErgoDrive' multi-function mechanical joystick with a dedicated hydraulic valve has been refined over many years to provide the optimum in 'feel' and control.

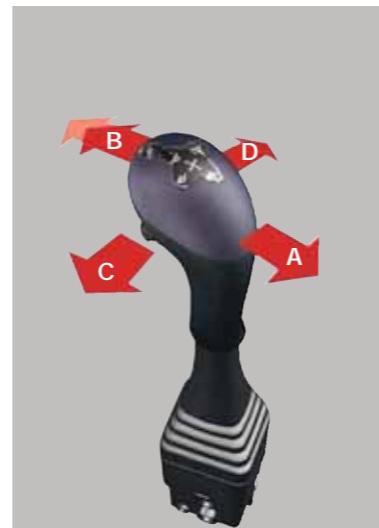
One of the additional benefits of a Massey Ferguson tractor/loader combination is that the PowerShuttle or PowerControl levers enable rapid changes of direction without use of the clutch, using the left hand. This means that the right hand is free to maintain full control of the loader.

Other available options include the ability to operate the loader via tractor spool valves using either mechanical or electronic multifunction joysticks.

Your choice of controls, coupled with the overall tractor and loader design, choice of visio roof and bonnet style will prove to be an indispensable part of your business. Giving you complete and consistent functionality and ease-of-use throughout your working day.



Model shown here: MF 5400 Series



'ErgoDrive' main functions:
A. Lift
B. Lower
C. Fill
D. Dump

Combined functions:
A/C. Lift and fill
A/D. Lift and dump
B/D. Lower and dump
B/C. Lower and fill - bucket adjustment to horizontal position

| 'Factory fitted' loader controls available | | |
|--------------------------------------------|-----------------------------|---------------------------|
| Model | Mechanical joystick control | Electrohydraulic controls |
| MF 5400 Series | ○ | - |
| MF 6400 Series | ○ | ○ |
| MF 7614-18 | ○ | ○ |

● - Standard
○ - Optional
- - Not applicable

'Multifunction' joystick main functions:

- A. Lift
- B. Lower
- C. Fill
- D. Dump

Combined functions:

- A/C. Lift and fill
- A/D. Lift and dump
- B/C. Lower and fill
- B/D. Lower and dump - bucket adjustment to horizontal position



The neutral switch is located at the back of the joystick

MF 7600 Series Essential cab option with mechanical multifunction joystick



The beauty of this joystick means you can go from forward to reverse and operate the loader at the same time, without taking your hand off the steering wheel.

MF 7600 Series Efficient cab option with electrohydraulic multifunction joystick and armrest



MF 7600 Series Exclusive cab option with multipad control lever and electrohydraulic multifunction joystick (right-hand side)



Options that fit your requirements perfectly

If your original purchase did not have a subframe and loader but over time you decide you need a tractor with loader capabilities, the dealer-fit option allows you to turn it into a fully functioning loader tractor simply and quickly. All you then have to do is decide which type of functionality best suits you.

Loader Control System™ (LCS) - optimising control and driving characteristics

The system features three new elements – valve, flat-faced couplings and joysticks.

At the “heart” of LCS™ is a unique valve program; the only valves in the world that have been specially developed for the specific functions and requirements of front loaders. This uncompromising attitude offers you many advantages: outstanding control, direct response and drivability through optimally-adapted flow – for every occasion and regardless of load weight. The valve is also energy efficient and therefore enables lower fuel consumption.

Flat-Faced Multi-couplers - Smart and easy to handle with integrated electrical connector

The new unique flat-face multi-coupler with integrated electrical connector is the heart of LCS, which, through its ingenious construction, saves time and also protects the environment. The compact design with swivel connections makes it very simple to use with a single hand. The construction of the multi-coupler means that it can be connected and disconnected even when pressurised.

All quick connections are flat-face style and spill-free, making them simple to clean and maintain.

Advantages of the LCS system

- Complete control of heavy loads thanks to the load-independent oil flow. The loader speed is always the same, no matter what load is carried in the implement
- Easier to perform multiple functions, such as lowering and crowding
- Energy-saving low pressure regeneration
- The cylinders are always filled with oil, which eliminates waiting time and cavitation
- Both lift and implement circuits feature a float position. In addition to improved driving benefits, this also enables easy connection and disconnection of the loader and implement
- The compact design means that the valve is ideally placed, whilst maintaining the driver’s vision

Advantages of the Multi-coupler system

- Both valves and hoses have flat-face connections
- The multi-coupler is connected simply, with a single lever incorporating a locking catch.
- Automatically connects the electrical functions at the same time



The MF 900 Series can benefit from a choice of three joystick options, all of which provide the operator with a high degree of control – it depends on the level of sophistication and type of control that’s required.

ErgoDrive LCS™ Mechanical Joystick

A simple, mechanical, cable-operated, single-lever control that replaces the previous ergodrive. The system incorporates an innovative float function, enabling float to be available to both position and dump, so making it easier to connect hydraulic implements.

- Lift/lower/fill/dump
- Combined functions:
- Lift and fill
 - Lift and dump
 - Lower and dump
 - Lower and fill - bucket adjustment to horizontal position

EasyDrive LCS™ Electronic Joystick

An affordable electronic alternative to purely mechanical controls, performing the same functions but with the assistance of electronics – via a small, thumb-controlled joystick for effortless operation.

- 3rd and 4th function
- On/Off loader suspension
- Hydraulic implement locking function
- Float position both lowering and tilt (dump)
- Transport function
- Pressure relief function

ElectroDrive CDC™ Electronic Joystick

Replacing the current version, the new ElectroDrive CDC Joystick provides all the advantages of the two alternative options, but delivers significantly increased functionality.

- 3rd and 4th function
- Float position lift and tilt
- Quick select button: as standard On/Off for loader suspension
- At the switch of a button: Loader suspension, transport mode, AAC, shake function or turtle function.



01. EasyDrive LCS 02 - 03. ElectroDrive LCS

Letting you get on with things

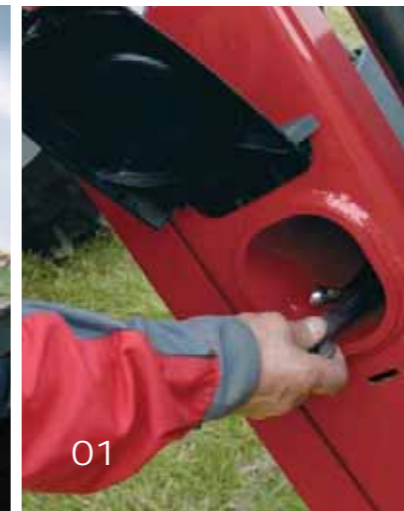
High on productivity... low on down-time. Serviceability, low maintenance and ease-of-use of both tractor and loader has been a key consideration in the design and construction of the MF 900 series, making things simple, easy and quick.

On all models the loader subframes are designed to ensure that tractor service access is unimpeded. The loader can be securely locked in its raised position; alternatively the 'Lock & Go' system means that any of the MF 900 Series loaders can be quickly removed for maximum access to the tractor.

For added safety and convenience, all loader pivot points have outward facing grease nipples that are easily accessible beneath opening dust covers.

The easily accessible, centrally-located distribution valve and all pivot points with greasable, replaceable bushes are examples of our commitment to making servicing easy and keeping down-time to a minimum.

You can rest assured that parts and service support is always on hand too. Massey Ferguson's dealer network is one of the most extensive in the world, which means that when you buy a MF 900 Series loader you are buying with absolute confidence.



01. Convenient tool storage area.
02. Outward-facing grease points easily accessible.
03. In addition to standard Euro tool carriers, a range of optional combi tool carriers are available to allow the use of both Euro implements and a variety of competitive implements.

MF 900 Series Loader implements: The right tools for the job

The best loaders in the world deserve the best implements, purpose-designed for the machines that carry them and to suit the widest range of tasks. Here they are - the MF 900 Series Loader implement range from the world's leading manufacturer.

Precision manufactured and purpose-designed to suit MF 900 Series Loaders, this range of implements provides the widest choice available. Versatile, high quality implements, developed through a rigorous R&D programme and supported by a dedicated network of Massey Ferguson dealers, offering first class aftersales support. To assist in choosing the right implement for your job they have been organised into 6 categories for easy reference:

01 Bale handling

For square and round bale handling. A highly flexible range, for every situation and budget.

02 Buckets

Featuring a conical 'hopper-shaped' design, making them non-spill whilst easy to fill. A wide range, suitable for virtually all tasks.

03 Silage

For use in silo, or clamp and with diet feeders. Ideal for general silage management and distribution.

04 Forks

Powerful and adaptable, for pallet handling plus general manure and stone work.

05 Lifters

Assured, safe bag handling.

06 Accessories

Several essential add-ons to complement the MF 900 Series Loader implement range.

CLIC-ON



Fitted as standard on all MF 900 Series Loaders, the Clic-on device helps to ensure that implements are securely and automatically locked on the tool carrier. Clic-on makes implement attachment a whole lot easier and significantly safer.

SELECTO-FIX



Many attachments in the range are equipped with 'Selecto-Fix'. This provides a rapid, easy and positive hydraulic connection, with no risk of spillage or leakage.



Bale handling

This comprehensive range of bale handling implements has been thoughtfully designed to provide safe, efficient and reliable operation through the complete spectrum of bale handling and distribution tasks, from field to yard.

01 Round bale spike

Ensures safe transportation of round bales and includes a short tine to eliminate bale rotation whilst stacking. Supplied with a backplate and also offered as an attachment to fit a pallet fork frame.

02 Quadrogrip

The market leader in handling round or square bales. The design of the hydraulically operated arms provides independent locking for easy alignment, plus virtually silent operation. Accommodates bale widths from 60 cm up to 200 cm.

03 Silosplit

A unique silage bale handler and splitter. Cuts out the hard work of cutting straw and silage bales with one smooth action and without the need for extra, complicated hydraulics. Supplied with an aluminium safety guard.

04 Flexibal

With hydraulic sideways adjustment, 125 mm rotating steel tubes gently cradle wrapped bales up to 180 cm dia., eliminating plastic damage. Once removed, the rotating tubes reveal steel spikes suitable for handling unwrapped bales or pallets up to 1000 kg. An optional hydraulic bale support enables end-on stacking.

05 Flexigrip

For the gentle handling of wrapped bales and 'end-on' stacking (up to three bales high), thus reducing the risk of air and moisture penetration into the bale. Hydraulically operated arms provide independent locking for easy alignment. Bale sizes from 120 cm up to 200 cm.

06 Unigrip

Proven, 'rounded' design with low net weight and featuring modified arms to spread pressure evenly over the bale. Similar to Flexigrip but also well suited to handling smaller square bales. Available in 2 sizes to suit bales from 90 cm to 160 cm dia.



Bale handling and buckets

All buckets are not created equal. The MF 900 Series Loader buckets are simply better. The range consists of 5 series, to suit varying workloads, with all buckets characterised by a conical 'hopper-shaped' design and laser-cut ends for non-spill, non-drop ability. Also included are special Grading and High-Tipping buckets.

Note, all volumes shown are 'heaped'.

01-02 Square bale fork - Safety

Available in two widths and featuring vertically folding tines for additional safety during transportation and handling. The upper section is designed to eliminate bales falling back, after unloading at full height, when reversing. Optional back-rests and large-bag lifter also available.

Available in 2 widths, 140 cm (2-5 tines) and 190 cm (5 tines).

03 Square bale fork

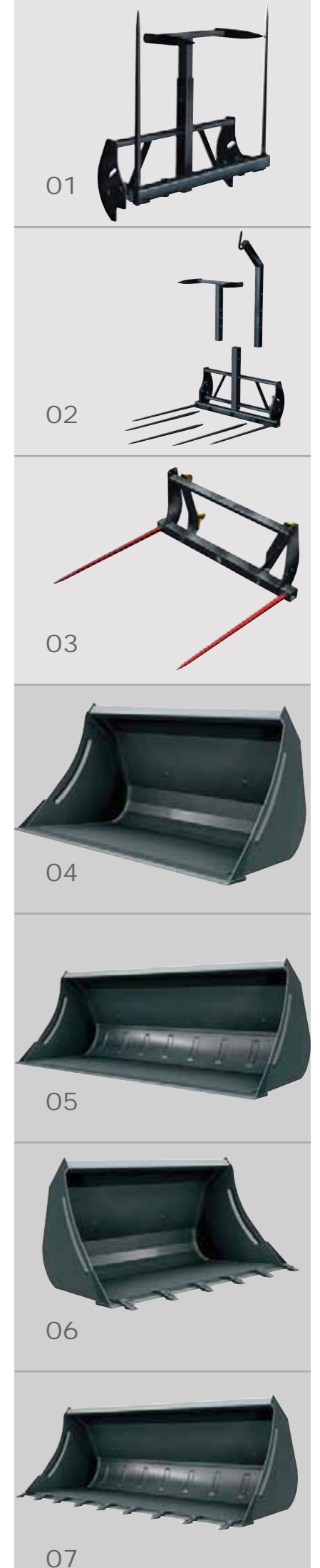
Simple, robust, but ideal for both round and square bales. The spacing of the tines can be adjusted along the box section from 80 cm to 130 cm. An optional U-shaped vertical rear extension can be supplied to help support the top bale. Width 140 cm.

04-05 Series H

Soil buckets, the most popular and flexible in the range. A short bucket base means these are well suited to heavier tasks. Available in 5 widths from 135 cm (0.54 m³) up to 240 cm (0.95 m³).

06-07 Series HT

Soil buckets, with teeth. Similar to the H Series, all the larger buckets in both these ranges have extra reinforcement between the back and the base. Available in 4 widths from 135 cm (0.54 m³) up to 210 cm (0.82 m³).



Buckets, silage handling and distribution

From the Multibenne, a perfect all-round silage handling implement, to the versatile Silograb, this range includes some of the most reliable and innovative silage handling equipment on the market today.

01 Series HD

The strongest buckets in the whole range. Based upon the H Series but feature: 20% thicker steel, a more powerful cutting edge, plus wider and longer floor reinforcement. Available in 4 widths from 185 cm (0.72 m³) up to 260 cm (1.03 m³).

02 Series HV

For users whose tasks require large volumes e.g. carrying grain, beet and feed. The large capacity is achieved through innovative bucket design, being deeper and taller than average. Available in 4 widths from 200 cm (1.16m³) up to 260 cm (1.85 m³).

03 Series L & LV

An excellent choice for lighter duties and where budgets are limited. Available in 4 widths from 130 cm (0.51 m³) up to 220 cm (1.25 m³).

04 Grading bucket

Designed to provide excellent driver visibility to the tip of the bucket through its low back plate. Special 10 mm thick angle iron reinforces the 20 mm subframe plates, making this bucket the ideal implement for grading tasks. Width 220 cm (0.65 m³).

05 High tipping bucket

Increases loading height by 120 cm which means even a short, compact front loader can fill a high trailer. The bucket tips from the front edge, removing the necessity to wait for the front edge to clear the trailer side before reversing. Width 120 cm (2.00 m³).

06 Powergrab

Designed for silage clamp operations, Powergrab's wide jaw opening allows it to work against a vertical silage wall, whilst its conical bucket design ensures free discharge when emptying. Available in 4 widths from 185 cm (1.0 m³) up to 260 cm (1.4 m³).

07 Maxi grapple

A large jaw opening enables it to handle a wide range of materials, including large bales, plus many other types of load. Grappling arm can easily be removed if required. Available in 3 widths, from 210 cm up to 260 cm.

08 Silograb

The tines of this implement are mounted within a hardened box section, their close distribution eliminating silage spillage. Upper jaw tines follow a circular movement producing a clean cut. Available in 7 widths from 130 cm (0.69 m³) up to 250 cm (1.33 m³).



01



02



03



04



05



06



07



08

Silage handling and forks

This range includes the most powerful fork on the market plus pallet forks with optional accessories. These implements are specifically designed to take the demanding loads and wear and tear of the jobs they are built for.

01 Multibenne

A perfect all-round silage implement, from loading diet feeders to shovelling manure and other materials. A host of other design features make it a superb working implement. Available in 7 widths from 130 cm (0.66 m³) up to 250 cm (1.27 m³).

02 Silocut SE

Produces perfect silage blocks in seconds. Hardened cutting blades at both the front and side produce a clean cut surface in the clamp, critical for maintaining silage quality. Available in 4 capacities, from 0.72 m³ up to 1.38 m³.

03-05 Pallet forks

These can be specified with either: 97 cm forks (1000 or 1600 kg capacity), or 120 cm forks (2500 kg capacity). The upper profile is manufactured in one piece and is able to be adjusted laterally to suit the load, which is distributed over a large area thanks to the wide load-bearing surface. This provides a very stable fork with immense strength. Optional top grabs and spike attachments can also be fitted.

06 Manure forks

Manufactured with a specially hardened box section. The tines are fitted prior to painting and secured with a very high torque. A top performer with a long service life. Available in 5 widths, from 130 cm up to 230 cm.



01



02



03



04



05



06

Forks, lifters and accessories

An indispensable Big Bag Lifter with a clever design feature, plus several essential accessories, complete the MF 900 Loader implement range.

01 Universal fork

Without doubt the most powerful universal/stone fork on the market. It offers excellent visibility whilst retaining exceptional strength. The side forks feature ultra-hardwearing teeth. Available in 2 widths, 150 cm and 200 cm.

02 Professional stone fork

A heavy-duty fork, specially designed to retain the material in the bucket after loading. The side forks feature ultra-hardwearing teeth. Available in 2 widths, 150 cm and 200 cm.

03 Big bag lifter

Designed with a hook that is slightly offset to the side, giving the operator an unimpaired view when connecting with the bag handle. Has a width of 120 cm, a height of 170 cm and a maximum loading of 800 kg.

04 Counterweight

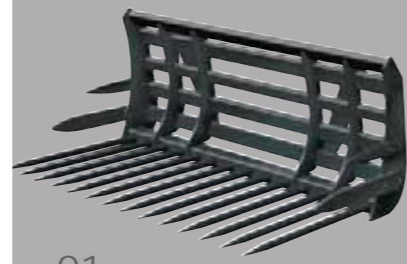
An essential accessory. This high quality counterweight can be fitted and removed easily. Two sizes are available, 800 kg or 1500 kg maximum ballasted weight. Supplied without ballast.

05 3-Point linkage

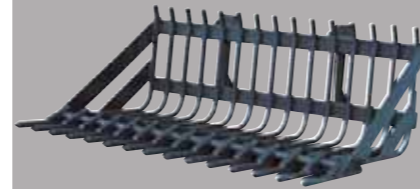
Can be used in a similar way to a tractor's 3-point linkage to help transport implements around the farm.

06 Euro hooks

Weld-on Euro Hooks allow any implement to be modified for use on MF 900 Series Loaders.



01



02



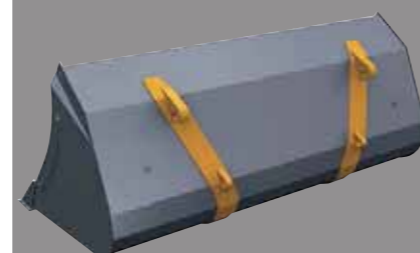
03



04

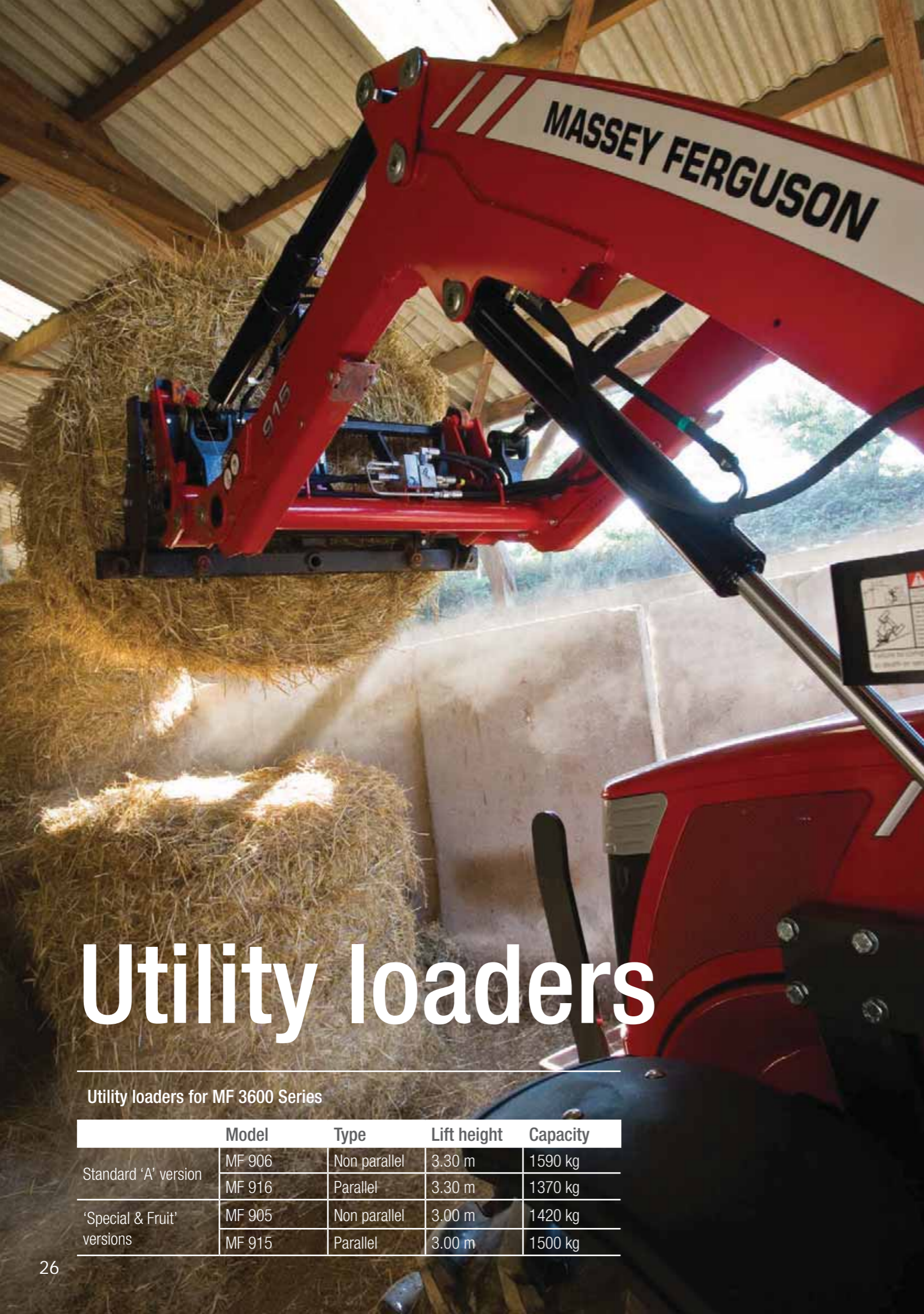


05



06





Utility loaders

Utility loaders for MF 3600 Series

| | Model | Type | Lift height | Capacity |
|----------------------------|--------|--------------|-------------|----------|
| Standard 'A' version | MF 906 | Non parallel | 3.30 m | 1590 kg |
| | MF 916 | Parallel | 3.30 m | 1370 kg |
| 'Special & Fruit' versions | MF 905 | Non parallel | 3.00 m | 1420 kg |
| | MF 915 | Parallel | 3.00 m | 1500 kg |

Maximum productivity 'utility' loaders

Compact utility loaders to complement the MF 3600 A, V,S,F and GE Series



Striving to make the jobs you do everyday that little bit simpler.

One thing we never do is compromise on quality so we only ever provide the best loaders with our machinery. This new range of parallel and non-parallel loaders has been designed specifically for this range of tractors and is the genuine article. Overall design, efficient functionality and clever little details enhance this high performance range of machinery to help you get the best out of your working day.

The MF 900 Series of utility loaders offers more benefits than any other range. Usage is simple, effective and enjoyable, the end result is maximum productivity and satisfaction.





Modern, simple, functional

Our tractor and loader combination works in harmony, integrating the most modern design and aesthetics with strength and reliability.

Total vision

Enjoy an unrestricted view of the implement during many applications. The spacious cab and low cross tube on the MF 900 loader ensures the view from the drivers seat is never impeded, making light work of loader operations.

All pipes and hoses are securely protected within the loader arm, minimising damage to the hydraulics whilst maximising visibility.

All pins are extremely strong with large dimensions, they are also zinc coated and can be lubricated. A pin lock eliminates the risk of the pins rotating.



Quick and simple to connect and disconnect



No tools are required when connecting and disconnecting the loader which means that no time is wasted in-between tasks.

For quick detaching, simply place the implement on the ground, lower the parking stands, unlatch the pins and disconnect the hydraulic and electrical connections between the loader and tractor.

- 01.** Lower parking stands.
- 02.** Unlatch the pins.
- 03.** Disconnect the electrical connections.
- 04.** Disconnect the hydraulic connections.



Delivering more



The tool carrier
This provides a secure link between the loader and implement, ensuring safety and security during all loader operations.



Adjustable guide
The guide indicates to the operator the position of the implement. It is easily adjustable and, for example, can show when the bucket or pallet forks are parallel to the ground.



Automatic implement locking with SafeLock
This smart safety function means that connecting the implement is always done with precision and accuracy. The SafeLock function ensures that the implement locking pins are always locked into position.

Loader operation is simple with straightforward, in-cab controls



01. The mechanical joystick functions:

- Lift
- Lower
- Crowd
- Dump



02. The lever position can be adjusted for operational comfort.



03. The joystick can also be locked into position.



Non-parallel models

| | | MF 931 | MF 933 | MF 941 | MF 951 | MF 961 |
|---------------------------------------------|---------|-----------------|-----------------|------------------|------------------|--------------------|
| Working angles* | | | | | | |
| min crowd angle | degrees | 44 | 44 | 43 | 46 | 45 |
| min.dump angle | degrees | 58 | 58 | 60 | 56 | 52 |
| Lift height | | | | | | |
| metres at pivot pin | m | 3.50 | 3.50 | 3.75 | 4.00 | 4.25 |
| metres under level implement* | m | 3.20 | 3.20 | 3.45 | 3.70 | 3.95 |
| Lifting force at 195 bar/2,828 PSI | | | | | | |
| 1. at pivot pin, ground level*** | Kg | 2,310 | 2,690 | 2,810 | 2,920 | 3,220 |
| at pivot pin max. lift height*** | Kg | 1,760 | 2,060 | 2,150 | 2,310 | 2,710 |
| 2. 800 mm from pivot pin, ground level | Kg | 1,390 | 1,660 | 1,730 | 1,860 | 2,130 |
| 800 mm from pivot pin, 1.5 m lift height | Kg | 1,250 | 1,500 | 1,560 | 1,680 | 1,980 |
| 800 mm from pivot pin, max. lift height | Kg | 1,220 | 1,450 | 1,500 | 1,640 | 1,970 |
| 3. Max. rollback force 80 cm from pivot pin | Kg | 2,410 | 2,410 | 2,800 | 2,840 | 3,360 |
| Loader weight | Kg | 450 | 450 | 515 | 554 | 628 |
| Tractor size, approx. | hp/kW | 50-80 / 37-60** | 50-80 / 37-60** | 60-100 / 45-75** | 80-120 / 60-90** | 100-150 / 75-112** |
| Lift timings † | | | | | | |
| 58 l/min at 1500 rpm | Seconds | 6.44 | 7.39 | 7.39 | 8.41 | 11.45 |
| 100 l/min at 1500 rpm | Seconds | 3.65 | 4.19 | 4.19 | 4.77 | 6.49 |
| 110 l/min at 1500 rpm | Seconds | 3.18 | - | - | 4.15 | 5.65 |

* Varies depending on implement

** In addition to engine strength, the tractor's weight and size influence your choice of loader

*** Excluding implement

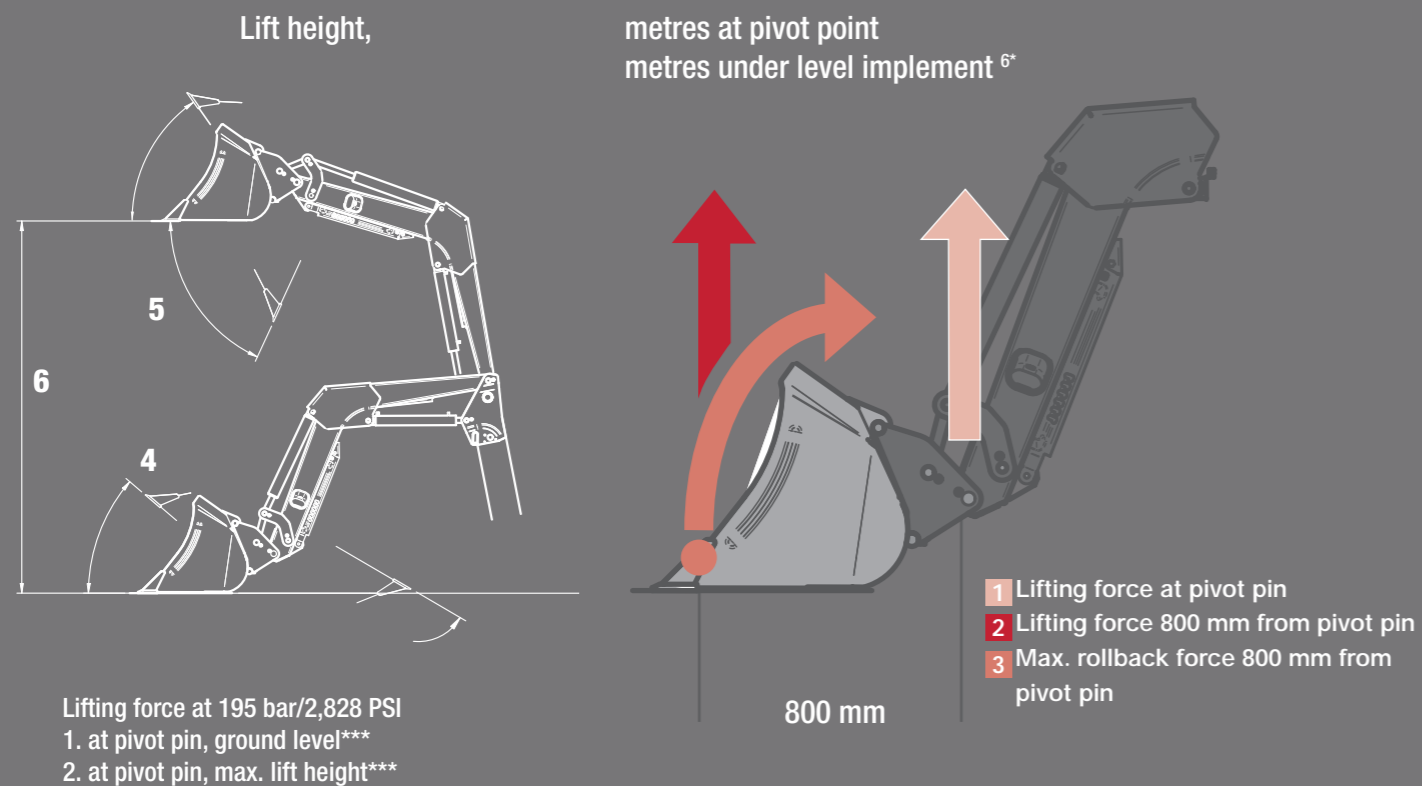
† Depending on which hydraulic system is fitted to the tractor

Tractor/loader recommendations for non-parallel models

| Models | Max front wheel | MF 931 | MF 933 | MF 941 | MF 951 | MF 961 |
|----------------|-----------------|--------|--------|--------|--------|--------|
| MF 5410 - 5450 | 14.9 R28 | ●* | ●* | ● | ● | - |
| MF 5460 | 14.9 R28 | - | - | ● | ● | - |
| MF 5465 & 75 | 14.9R28 | - | - | - | - | ● |
| MF 5470 & 80 | 14.9R28 | - | - | - | ● | ● |
| MF 64&5445/55 | 14.9 R28 | - | - | ● | ● | - |
| MF 6460/70 | 16.9R28 | - | - | - | ● | ● |
| MF 6465 | 16.9 R28 | - | - | - | - | ● |
| MF 6475 | 16.9 R28 | - | - | - | - | ● |
| MF 6480 | 16.9 R28 | - | - | - | - | ● |
| MF 7465 | 16.9 R28 | - | - | - | - | ● |
| MF 7475 | 16.9 R28 | - | - | - | - | ● |
| MF 7480 | 16.9 R28 | - | - | - | - | ● |

* Loader available for this model only with long bearing box or tyre size : maximum 24 inches

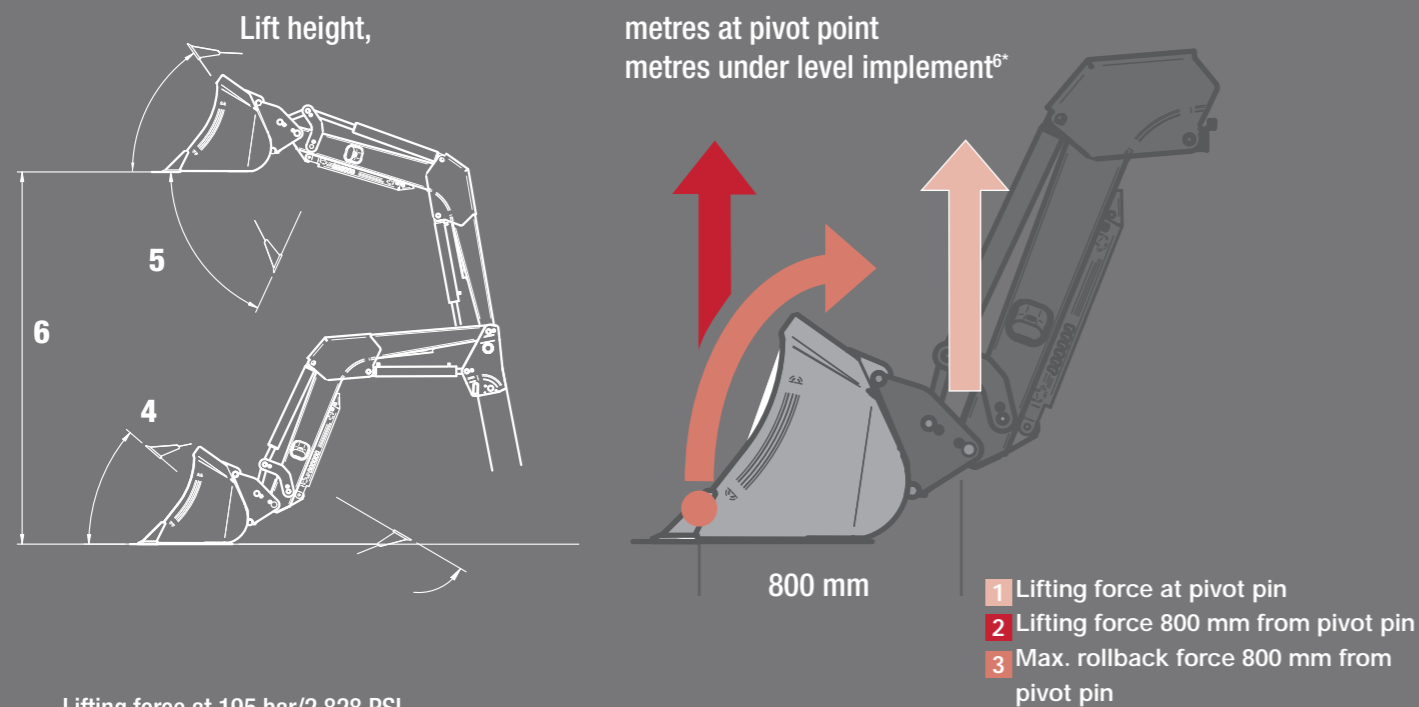
● = Recommended
- = Not applicable



Every effort has been made to ensure that the information contained in this publication is as accurate and current as possible. However, inaccuracies, errors or omissions may occur and details of the specifications may be changed at any time without notice. Therefore, all specifications should be confirmed with your Massey Ferguson Dealer or Distributor prior to any purchase.

Parallel models

| | | MF 936 | MF 938 | MF 946 | MF 948 | MF 949 | MF 956 | MF 958 | MF 966 | MF 968 | MF 976 | MF 978 | MF 988 |
|---------------------------------------------|---------|----------------|---------------|----------------|-----------------|-----------------|-----------------|-----------------|-------------------|-------------------|--------------------|-------------------|----------------|
| Working angles* | | | | | | | | | | | | | |
| min. crowd angle | degrees | 44 | 44 | 43 | 43 | 44 | 45 | 45 | 45 | 45 | 44 | 44 | 44 |
| min.dump angle | degrees | 58 | 58 | 60 | 60 | 55 | 55 | 55 | 52 | 52 | 52 | 52 | 49 |
| Lift height | | | | | | | | | | | | | |
| metres at pivot pin | m | 3.50 | 3.50 | 3.75 | 3.75 | 3.90 | 4.00 | 4.00 | 4.25 | 4.25 | 4.50 | 4.50 | 4.95 |
| metres under level implement* | m | 3.20 | 3.20 | 3.45 | 3.45 | 3.60 | 3.70 | 3.70 | 3.95 | 3.95 | 4.20 | 4.20 | 4.65 |
| Lifting force at 195 bar/2,828 PSI | | | | | | | | | | | | | |
| 1. at pivot pin, ground level*** | kg | 1,920 | 2,270 | 2,400 | 2,770 | 2,220 | 2,520 | 2,890 | 2,790 | 3,170 | 2,990 | 3,380 | 3,930 |
| at pivot pin max. lift height*** | | 1,520 | 1,800 | 1,900 | 2,210 | 1,890 | 2,060 | 2,370 | 2,440 | 2,780 | 2,490 | 2,820 | 3,070 |
| 2. 800 mm from pivot pin, ground level | kg | 1,530 | 1,840 | 1,910 | 2,250 | 1,800 | 2,070 | 2,410 | 2,330 | 2,680 | 2,540 | 2,900 | 3,34 |
| 800 mm from pivot pin, 1.5 m lift height | kg | 1,440 | 1,740 | 1,800 | 2,110 | 1,720 | 1,930 | 2,250 | 2,250 | 2,590 | 2,370 | 2,700 | 3,050 |
| 800 mm from pivot pin, max. lift height | kg | 1,310 | 1,590 | 1,630 | 1,920 | 1,600 | 1,720 | 2,010 | 2,120 | 2,450 | 2,120 | 2,430 | 2,770 |
| 3. Max. rollback force 80 cm from pivot pin | kg | 2,380 | 2,380 | 2,770 | 2,770 | 2,830 | 2,810 | 3,850 | 3,360 | 4,470 | 3,870 | 4,480 | 4,460 |
| Loader weight | kg | 521 | 521 | 585 | 585 | 595 | 621 | 621 | 721 | 721 | 760 | 760 | 838 |
| Tractor size, approx. | hp/kW | 50-80/37-60 ** | 50-80/37-60** | 60-100/45-75** | 60-100/45-75 ** | 60-100/45-75 ** | 80-120/60-90 ** | 80-120/60-90 ** | 100-150/75-112 ** | 100-150/75-112 ** | 120-190 /90-142 ** | 120-190/90-142 ** | >150 / >112 ** |
| Lift timings | | | | | | | | | | | | | |
| 58 l/min at 1500 rpm | Seconds | 5.55 | 6.44 | 7.39 | 8.41 | 7.39 | 8.41 | 9.50 | 10.21 | 10.21 | 11.45 | - | - |
| 100 l/min at 1500 rpm | Seconds | 3.15 | 3.65 | 4.19 | 4.77 | 4.19 | 4.77 | 5.39 | 5.79 | 5.79 | 6.49 | - | - |
| 110 l/min at 1500 rpm | Seconds | - | - | 3.65 | 4.15 | 3.65 | 4.15 | 4.69 | 5.04 | 5.04 | 5.65 | 5.65 | 6.84 |
| 150 l/min at 1500 rpm | Seconds | - | - | - | - | - | - | - | - | - | 4.18 | 4.18 | 5.06 |
| 180 l/min at 1500 rpm | Seconds | - | - | - | - | - | - | - | - | - | - | - | 4.18 |



*Varies depending on implement
 ** In addition to engine strength, the tractor's weight and size influence your choice of loader
 *** Excluding implement
 ● = Recommended
 - = Not applicable/available

Lifting force at 195 bar/2,828 PSI
 1. at pivot pin, ground level***
 2. at pivot pin, max. lift height***

Tractor/loader recommendations for parallel models

| Models | Max front wheel | MF 936 | MF 938 | MF 946 | MF 948 | MF 949 | MF 956 | MF 958 | MF 966 | MF 968 | MF 976 | MF 978 | MF 988 |
|------------------|-----------------|--------|--------|--------|--------|--------|--------|--------|--------|--------|--------|--------|--------|
| MF 5410 - 5450 | 14.9 R28 | ●* | ●* | ● | ● | ● | ● | - | - | - | - | - | - |
| MF 5460 | 14.9 R28 | - | - | ● | ● | ● | ● | - | - | - | - | - | - |
| MF 5465 & 75 | 14.9 R28 | - | - | - | - | - | - | - | ● | ● | ● | - | - |
| MF 5470 & 80 | 14.9 R28 | - | - | - | - | - | ● | ● | ● | - | - | - | - |
| MF 64&5445/55 | 14.9 R28 | - | - | ● | ● | ● | ● | - | - | - | - | - | - |
| MF 6460/70 | 16.9 R28 | - | - | - | - | - | ● | ● | ● | - | - | - | - |
| MF 6465 | 16.9 R28 | - | - | - | - | - | - | - | ● | ● | ● | - | - |
| MF 6475 | 16.9 R28 | - | - | - | - | - | - | - | ● | ● | ● | - | - |
| MF 6480 | 16.9 R28 | - | - | - | - | - | - | - | ● | ● | ● | - | - |
| MF 6485 | 16.9 R30 | - | - | - | - | - | - | - | - | - | ● | ● | - |
| MF 6490 | 16.9 R30 | - | - | - | - | - | - | - | - | - | ● | ● | - |
| MF 6495 | 16.9 R30 | - | - | - | - | - | - | - | - | - | ● | ● | - |
| MF 6497 | 16.9 R30 | - | - | - | - | - | - | - | - | - | ● | ● | ● |
| MF 6499 | 16.9 R30 | - | - | - | - | - | - | - | - | - | ● | ● | ● |
| MF 7465 | 16.9 R28 | - | - | - | - | - | - | - | ● | ● | ● | - | - |
| MF 7475 | 16.9 R28 | - | - | - | - | - | - | - | ● | ● | ● | - | - |
| MF 7480 | 16.9 R28 | - | - | - | - | - | - | - | ● | ● | ● | - | - |
| MF 7485 | 16.9 R30 | - | - | - | - | - | - | - | - | - | ● | ● | - |
| MF 7490 | 16.9 R30 | - | - | - | - | - | - | - | - | - | ● | ● | - |
| MF 7495 | 16.9 R30 | - | - | - | - | - | - | - | - | - | ● | ● | - |
| MF 7497 | 16.9 R30 | - | - | - | - | - | - | - | - | - | ● | ● | ● |
| MF 7499 | 16.9 R28 | - | - | - | - | - | - | - | - | - | ● | ● | ● |
| MF 7614/15/16/18 | 16.9 R28 | - | - | - | - | - | - | - | ○ | ○ | ○ | - | - |
| MF 7619/20/22 | 16.9 R30 | - | - | - | - | - | - | - | - | - | ○ | ○ | - |
| MF 7624 | 16.9 R30 | - | - | - | - | - | - | - | - | - | - | - | ○ |
| MF 8650 | 600/65 R34 | - | - | - | - | - | - | - | - | - | - | - | ● |
| MF 8660 | 600/65 R34 | - | - | - | - | - | - | - | - | - | - | - | ● |
| MF 8670 | 600/65 R34 | - | - | - | - | - | - | - | - | - | - | - | ● |
| MF 8680 | 600/65 R34 | - | - | - | - | - | - | - | - | - | - | - | ● |
| MF 8690 | 600/65 R34 | - | - | - | - | - | - | - | - | - | - | - | ● |

* Varies depending on implement
 ** In addition to engine strength, the tractor's weight and size influence your choice of loader
 *** Excluding implement
 ● = Recommended
 - = Not applicable/available

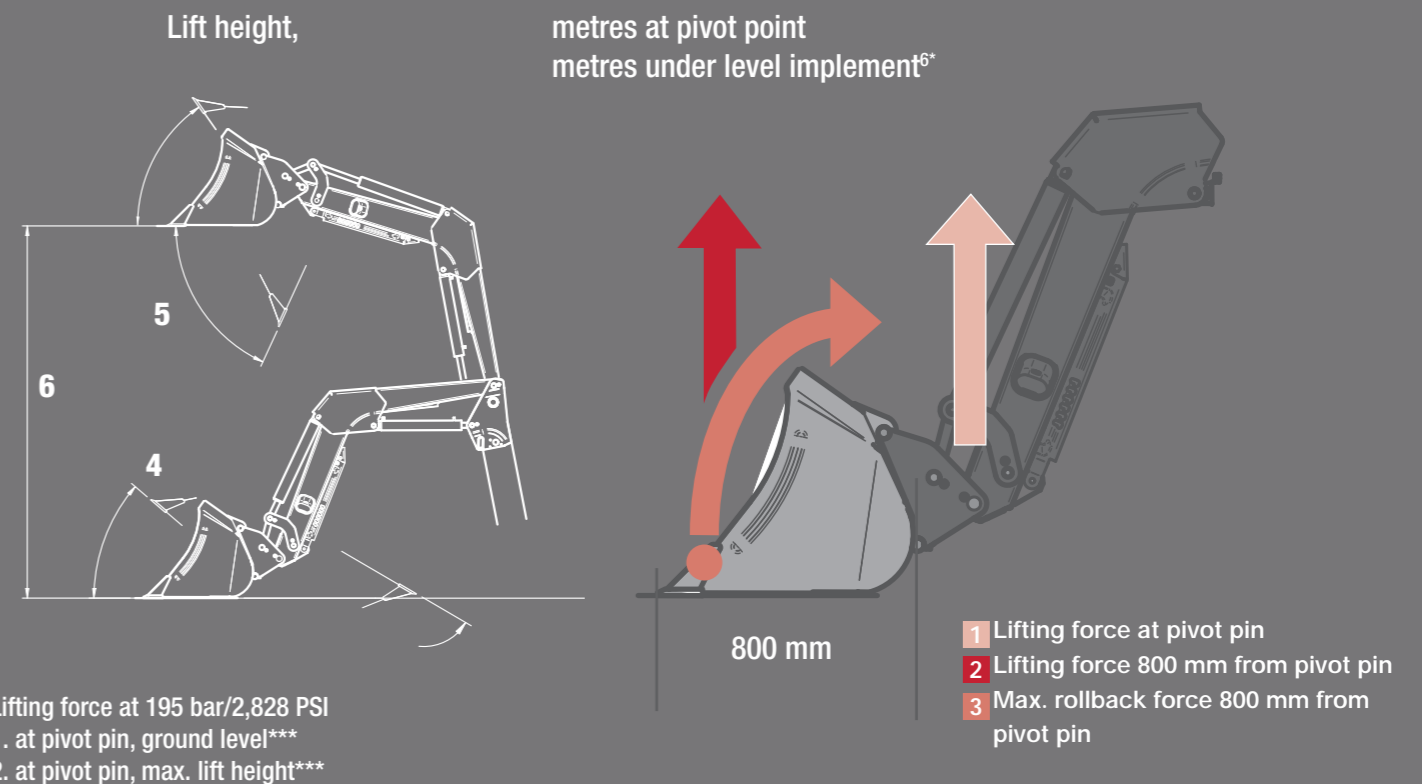
Utility loader models

| Loader type | | MF 905 | MF 915 | MF 906 | MF 916 |
|---------------------------------------------|---------|--------------|----------|--------------|----------|
| | | Non parallel | Parallel | Non parallel | Parallel |
| Working angles* | | | | | |
| min crowd angle | degrees | 45 | 45 | 46 | 46 |
| min.dump angle | degrees | 49 | 49 | 48 | 48 |
| Lift height | | | | | |
| metres at pivot pin | m | 3.00 | 3.00 | 3.30 | 3.30 |
| metres under level implement* | m | 2.75 | 2.75 | 3.05 | 3.05 |
| Lifting force at 195 bar/2,828 PSI | | | | | |
| 1. at pivot pin, ground level*** | Kg | 2.280 | 1.880 | 2.500 | 1.750 |
| at pivot pin max. lift height*** | Kg | 1.410 | 1.140 | 1.570 | 1.060 |
| 2. 800 mm from pivot pin, ground level | Kg | 1.420 | 1.500 | 1.590 | 1.370 |
| 800 mm from pivot pin, 1.5 m lift height | kg | 1.130 | 1.300 | 1.310 | 1.220 |
| 800 mm from pivot pin, max. lift height | kg | 790 | 1.130 | 900 | 1.090 |
| 3. Max. rollback force 80 cm from pivot pin | Kg | 1.870 | 1.510 | 1.940 | 1.930 |
| Loader weight | Kg | 310 | 360 | 335 | 390 |

* Varies depending on implement
 ** Excluding implement

| MF 3600 Series | | | |
|----------------|-----------------|--------------|------------|
| | Utility loaders | S/F versions | A version* |
| Non parallel | New MF 905 | ● | - |
| Parallel | New MF 915 | ● | - |
| Non parallel | New MF 906 | - | ● |
| Parallel | New MF 916 | - | ● |

* MF 3600 'A' loader subframe is not compatible with horizontal exhaust





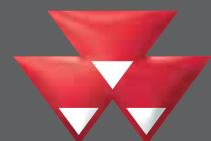
MF 900 Series Loaders - highlights

Here's a quick reminder of some of the impressive features the MF 900 Loader Series has to offer.

- 01 An extensive range of 21 models, along with numerous options and accessories are available, with either parallel or non-parallel linkage.
- 02 Designed and built to complement your Massey Ferguson tractor and deal with the toughest jobs, day in, day out.
- 03 New models with increased lift capacity and new roll back angles offer impressive material handling, particularly when using a bucket implement.
- 04 Ease of operation comes as standard, thanks to the factory-fit loader joystick, alternatively a range of joysticks can be available ensuring complete control for the operator. ErgoDrive, EasyDrive and ElectroDrive plus new valves combine to give you the most capable, straightforward loader system yet.
- 05 New and improved coupling system: Spill-free flat face couplings which make coupling and de-coupling simple and clean.
- 06 New, extra-strength reinforced rear arms.
- 07 A brand new range of utility loaders is now available which complements the MF 3600 Series range of utility tractors.
- 08 All backed by Massey Ferguson's worldwide aftersales network, where well-trained staff are committed to maintaining your investment in perfect working order, year after year.



MASSEY FERGUSON is a worldwide brand of AGCO.
© AGCO Limited. 2012 | English/15252/0312/8m



MASSEY FERGUSON